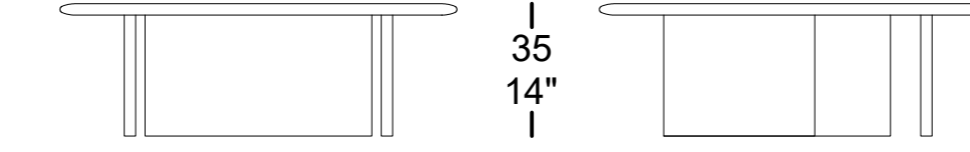
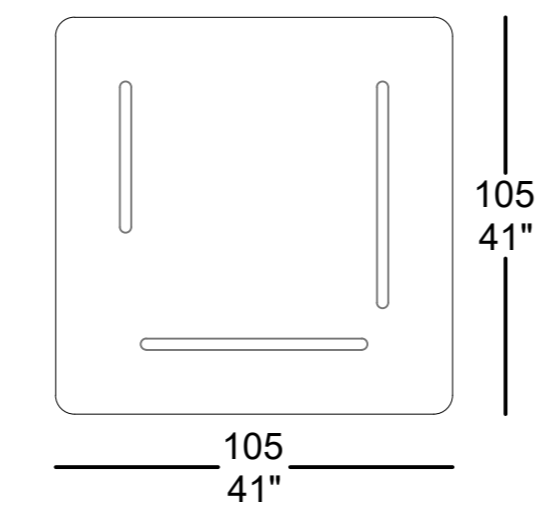
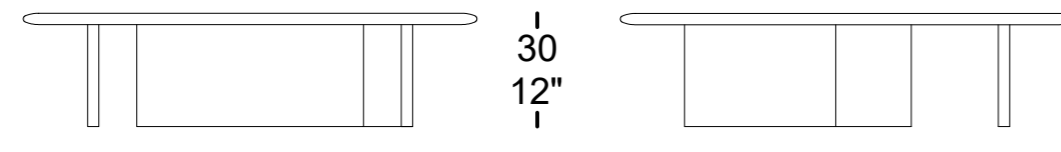
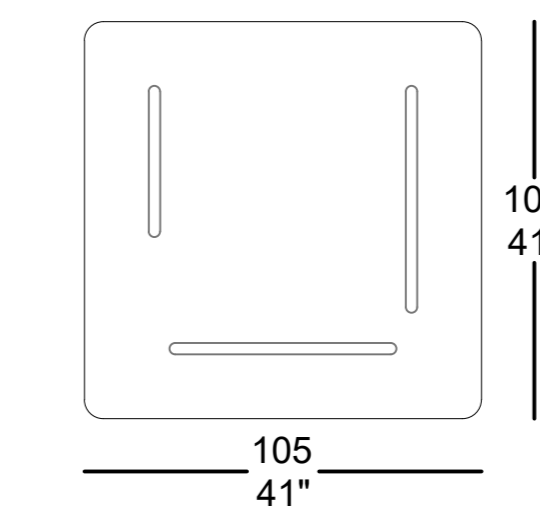


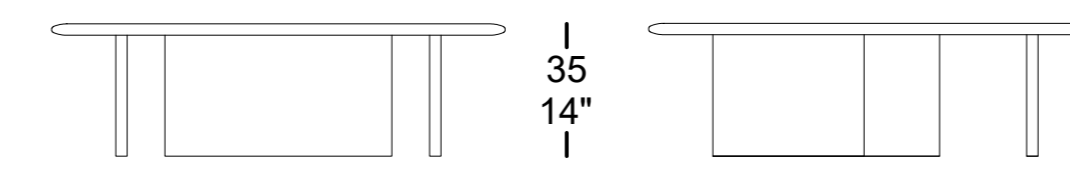
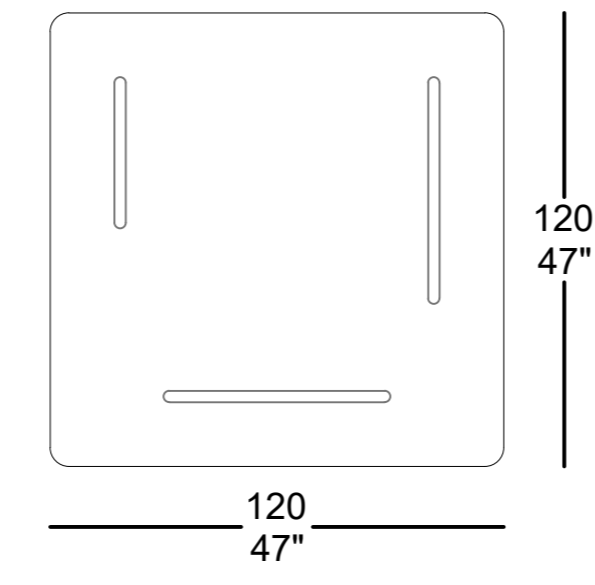
**BWT 01**



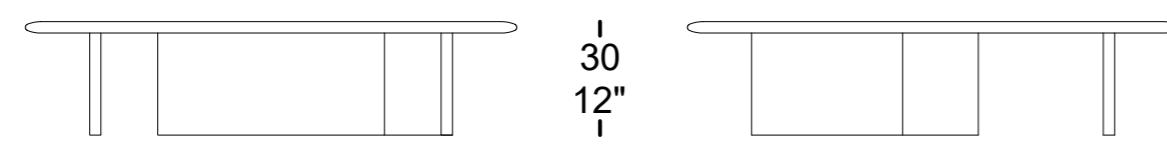
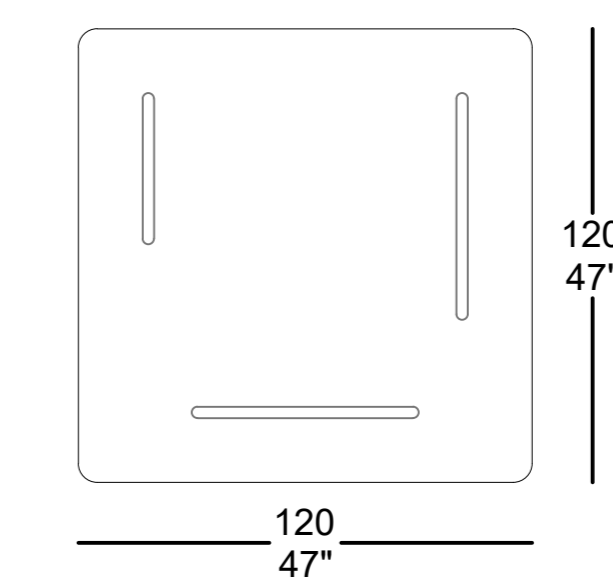
**BWT 02**



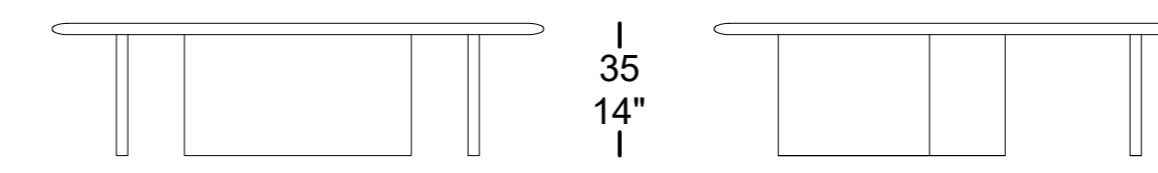
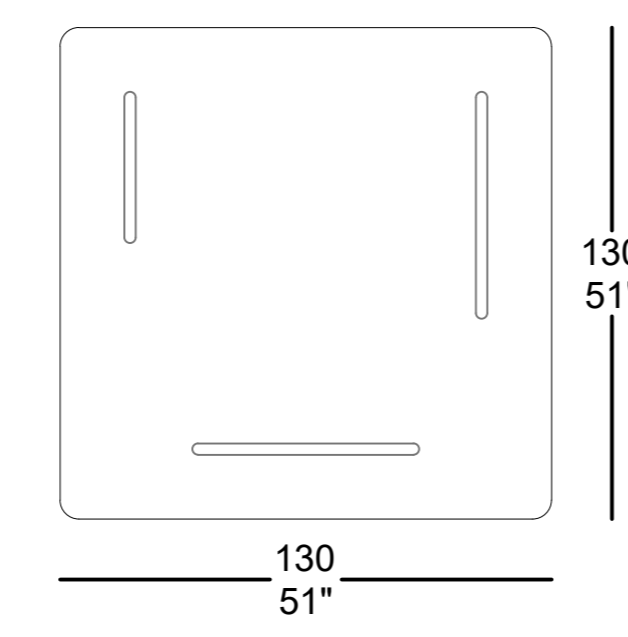
**BWT 03**



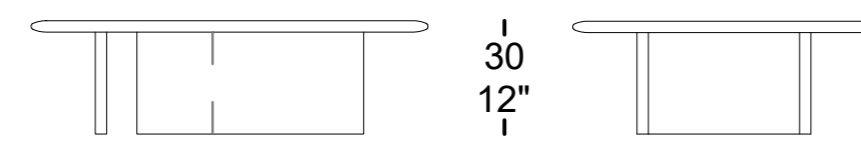
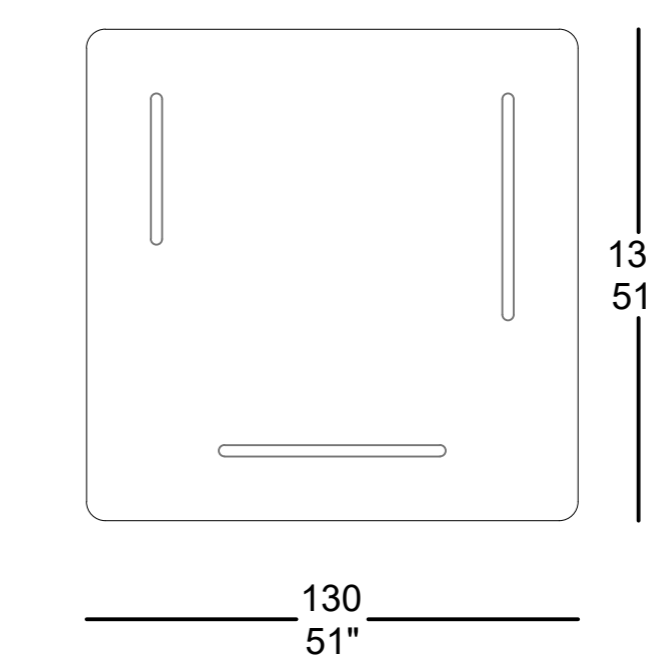
**BWT 04**



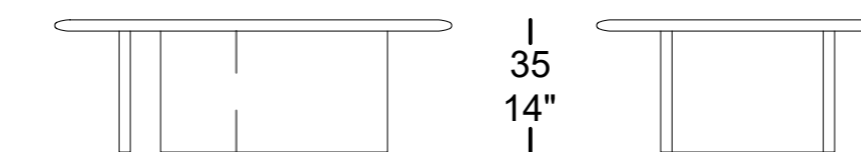
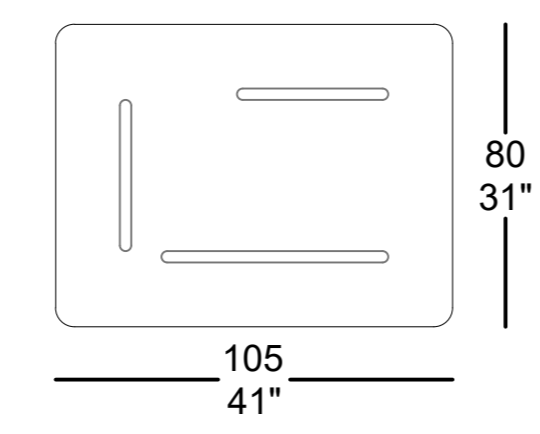
**BWT 05**



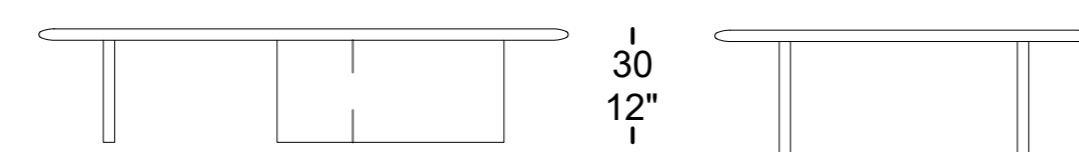
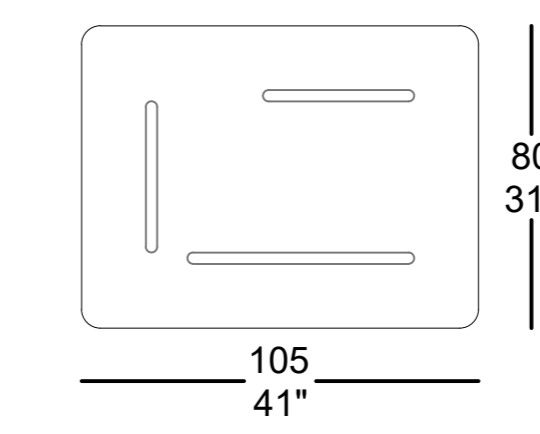
**BWT 06**



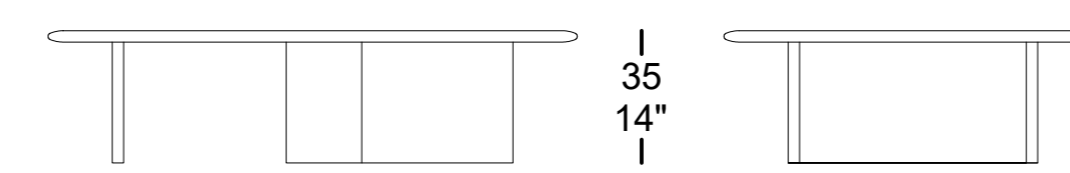
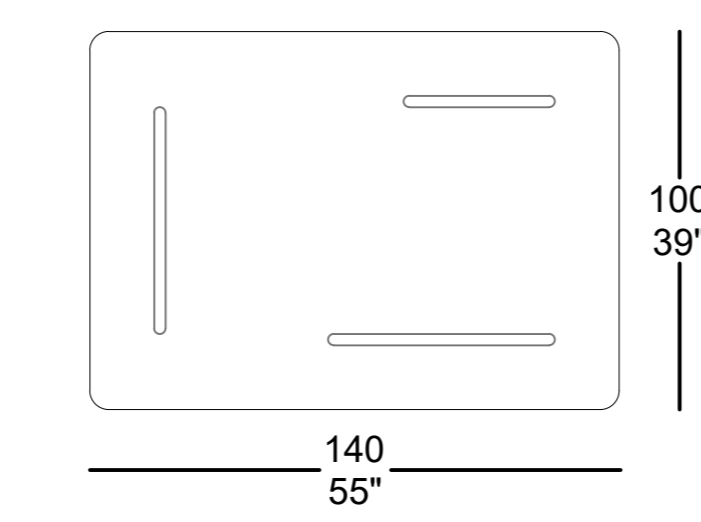
**BWT 07**



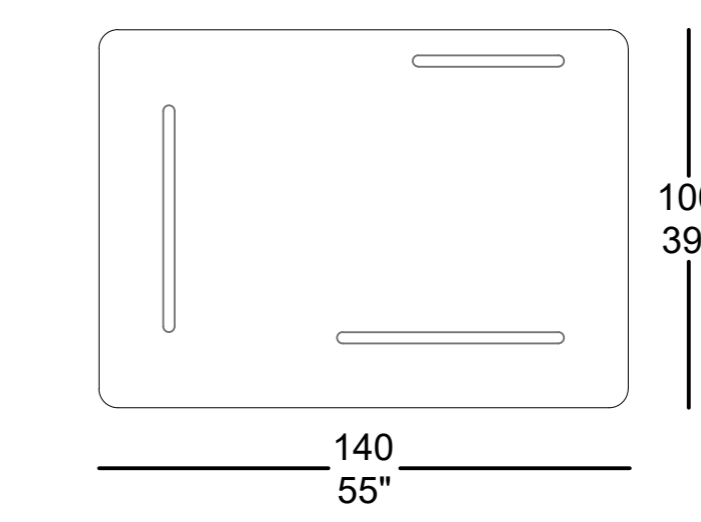
**BWT 08**

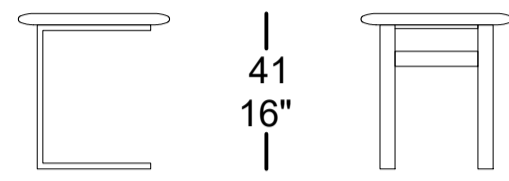


**BWT 09**

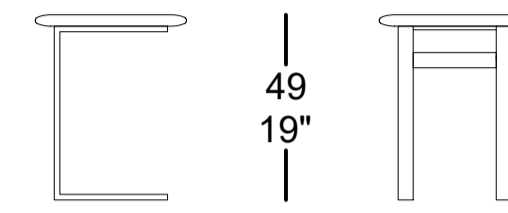
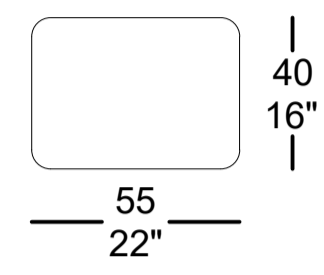


**BWT 10**

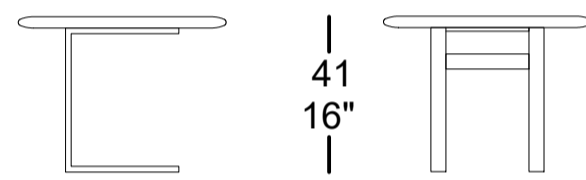
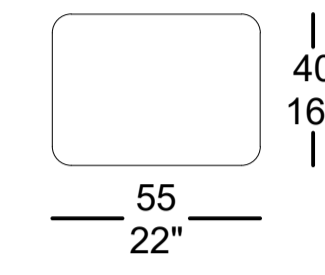




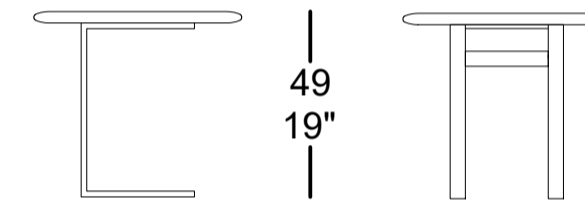
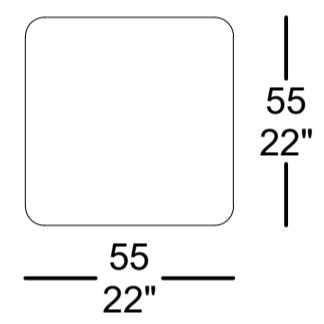
**BWT 11**



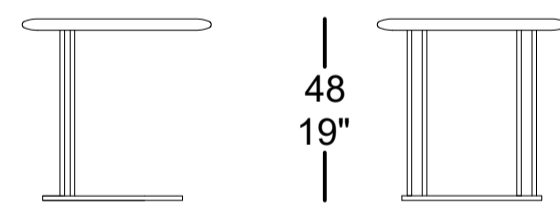
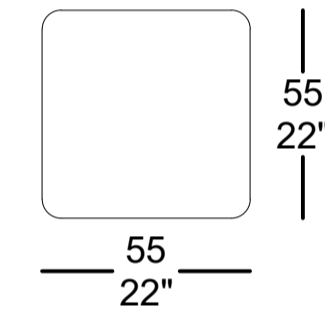
**BWT 12**



**BWT 13**



**BWT 14**



**BWT 15**

