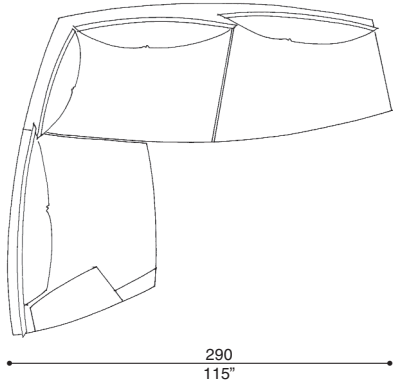
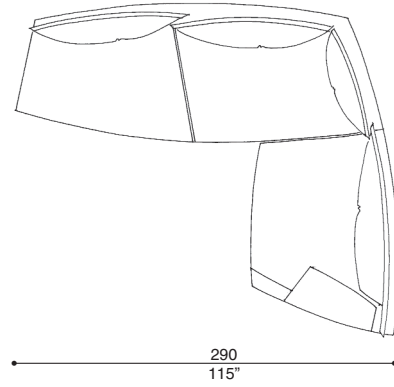


SR 200

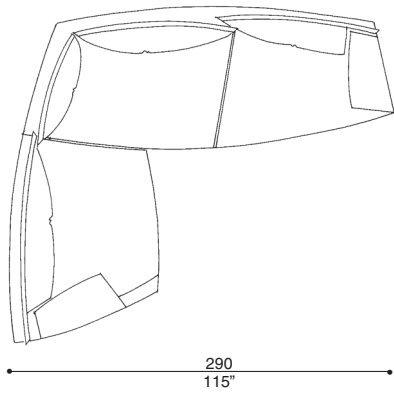


SR 201

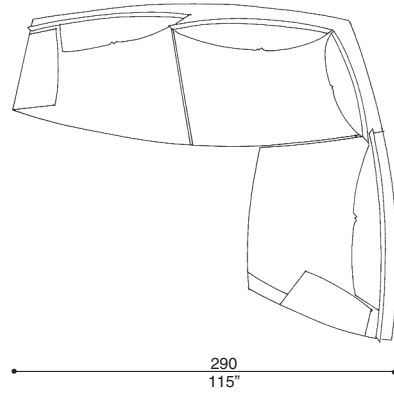


1 ►

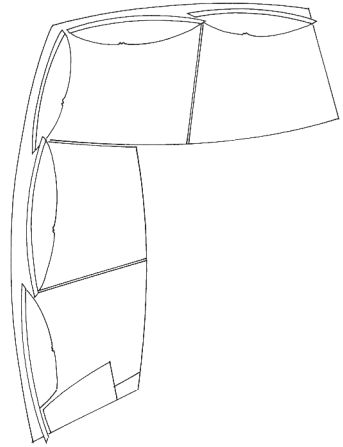
SR 202



SR 203

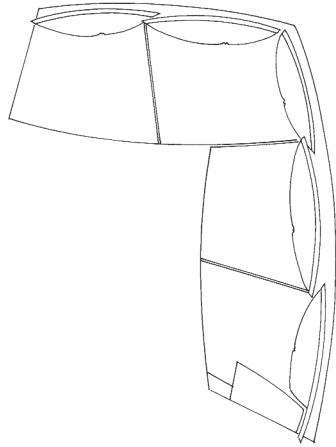


SR 204



250
99"

SR 205

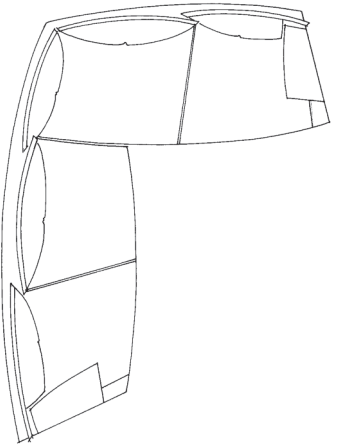


250
99"

335
132"

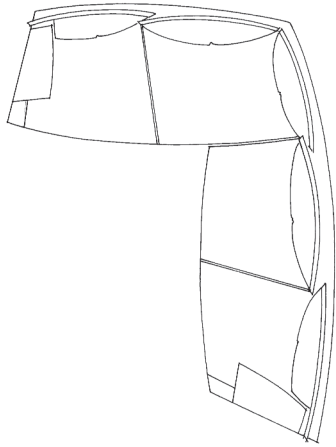
3 ▶

SR 206



250
99"

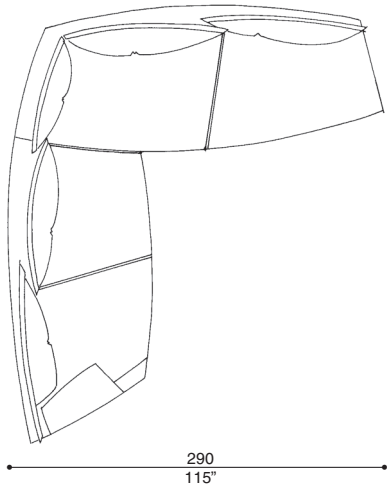
SR 207



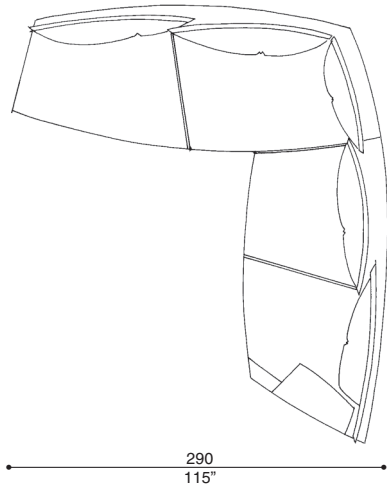
250
99"

335
132"

SR 208

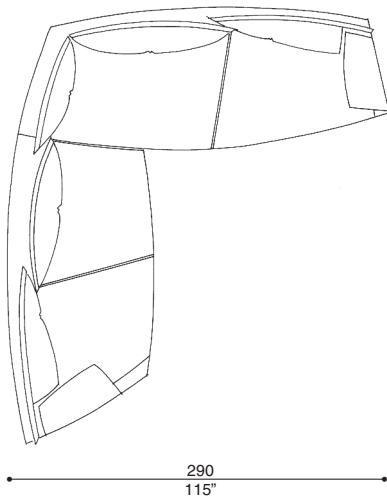


SR 209

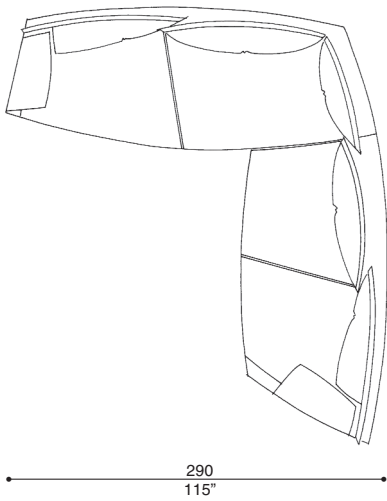


5 ▶

SR 210

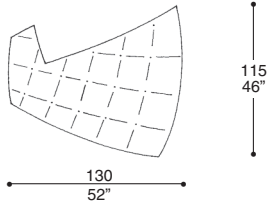


SR 211

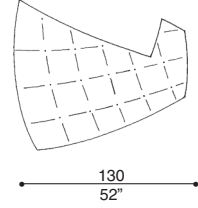




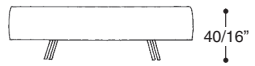
SR 212



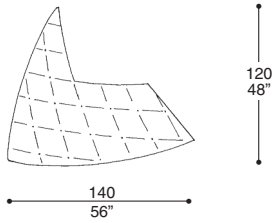
SR 213



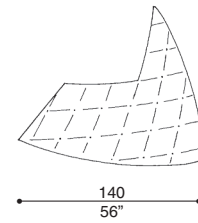
7 ▶



SR 214



SR 215



SR 216

