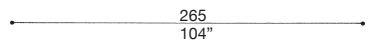
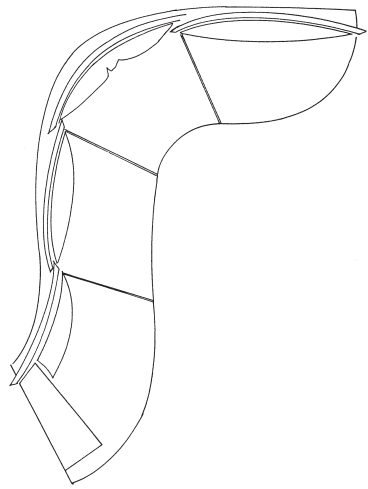
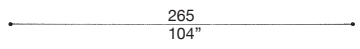
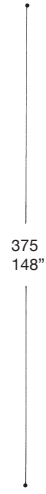
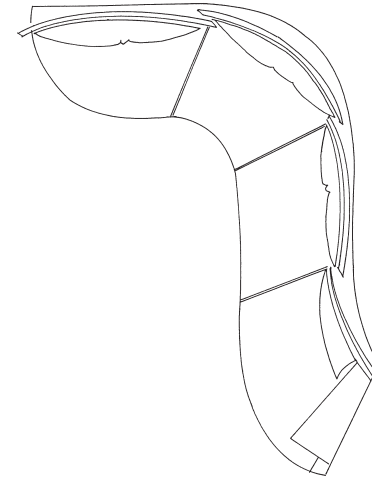


SR 80

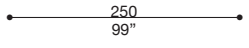
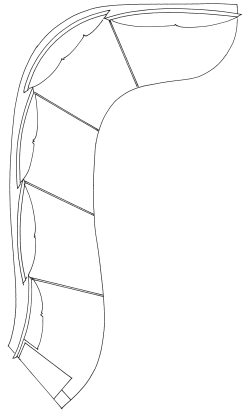


SR 81

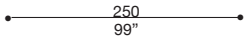
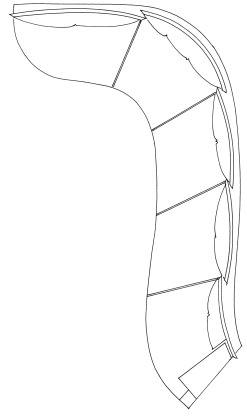


1 ▶

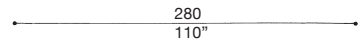
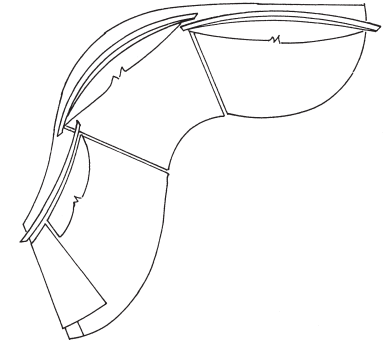
SR 101



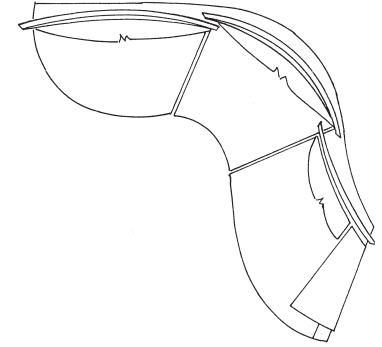
SR 102



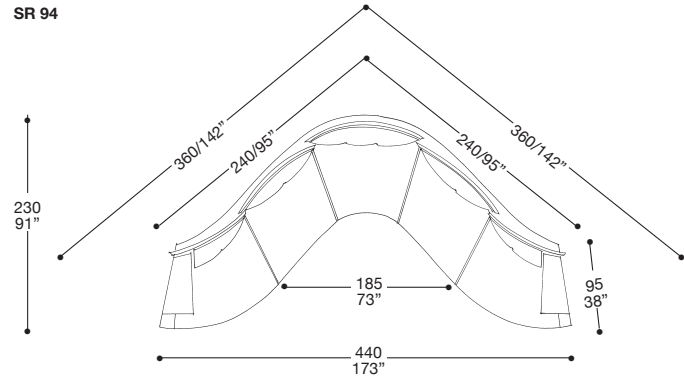
SR 86



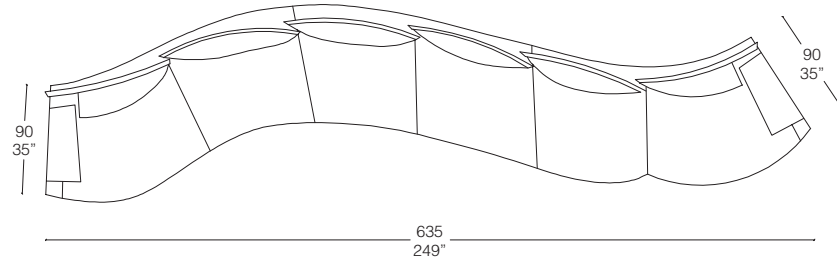
SR 87



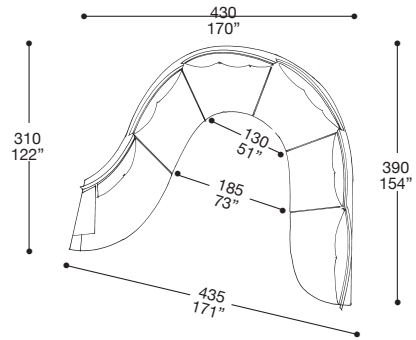
SR 94



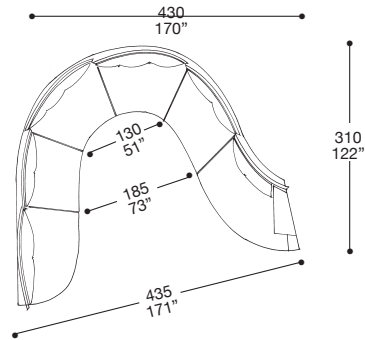
SR 116



SR 95

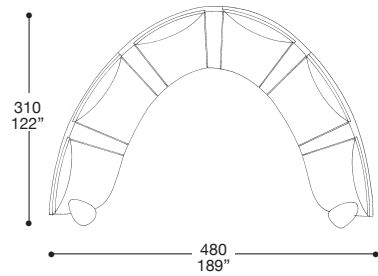


SR 96

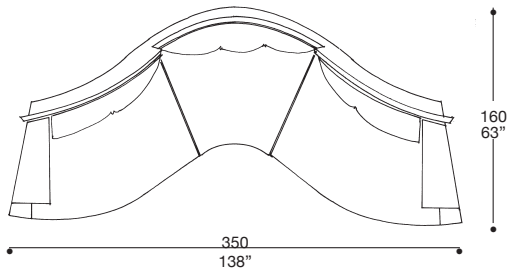


2 ▶

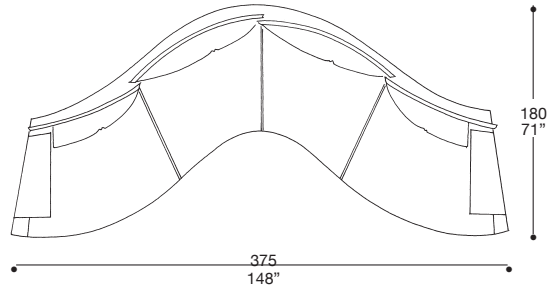
SR 113



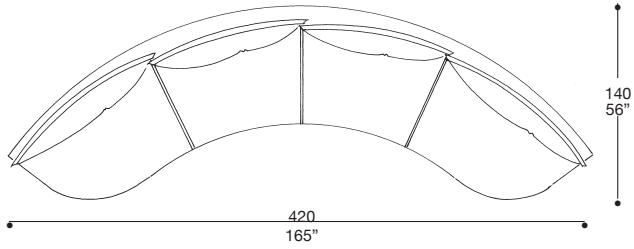
SR 103



SR 104

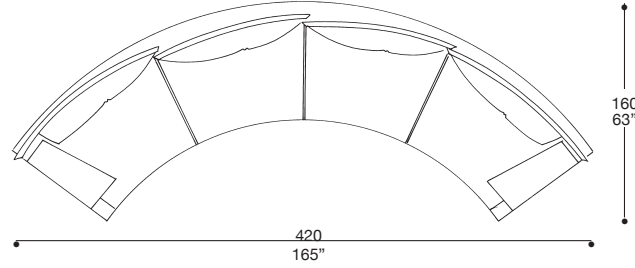


SR 105

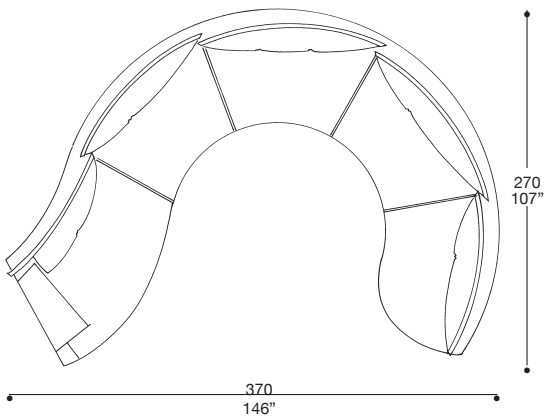


3 ▶

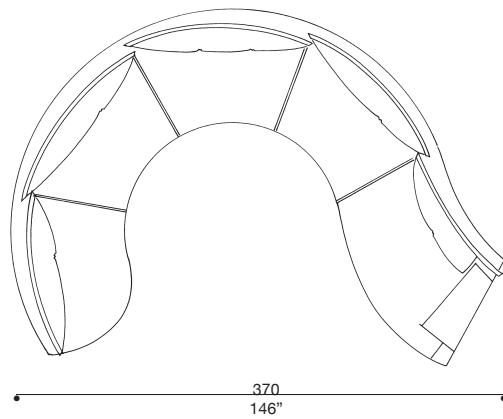
SR 106



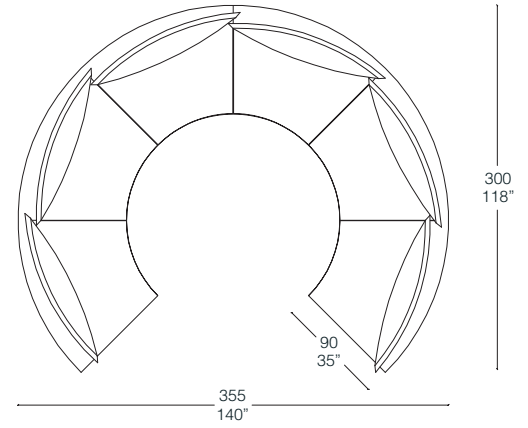
SR 107



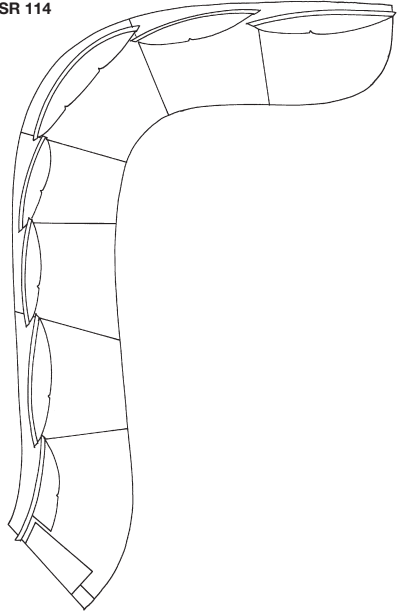
SR 108



SR 109

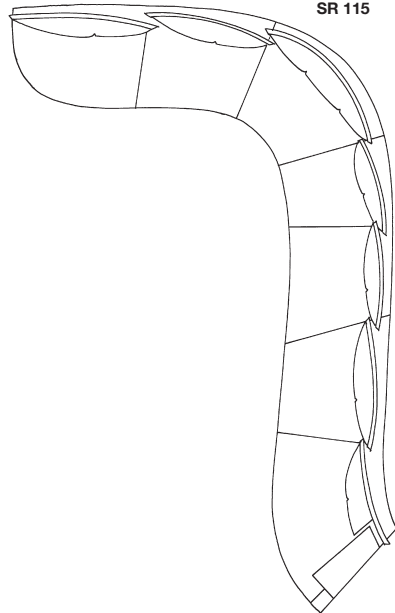


SR 114



530  
209"

SR 115

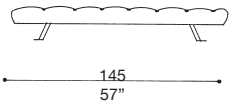


4 ▶

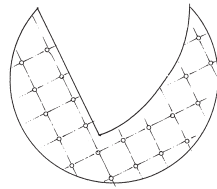
360  
142"

360  
142"

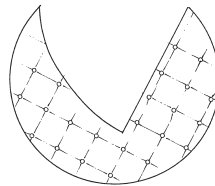
SR 82



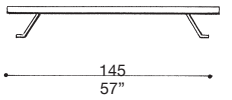
23 3/9"



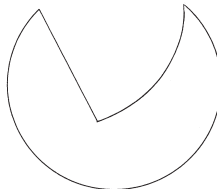
SR 83



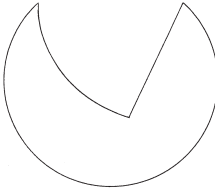
SR 84



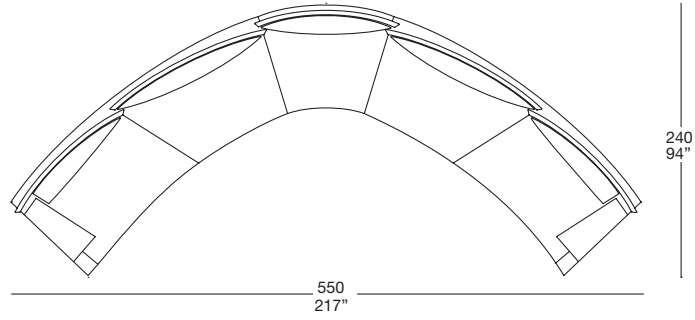
23 3/9"



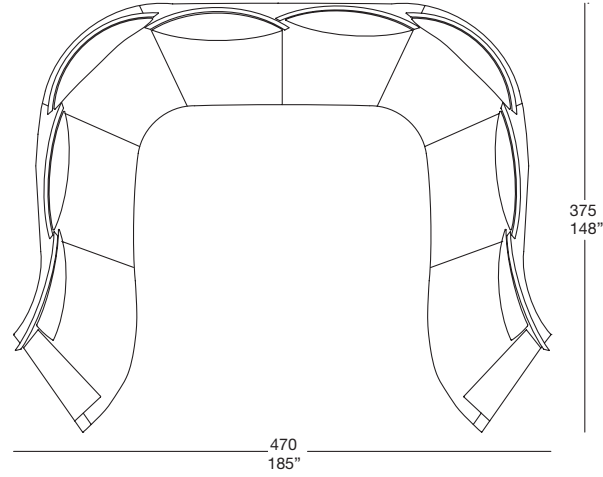
SR 85



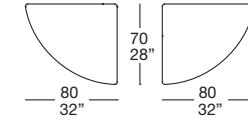
SR 141



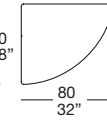
SR 142



SR 143

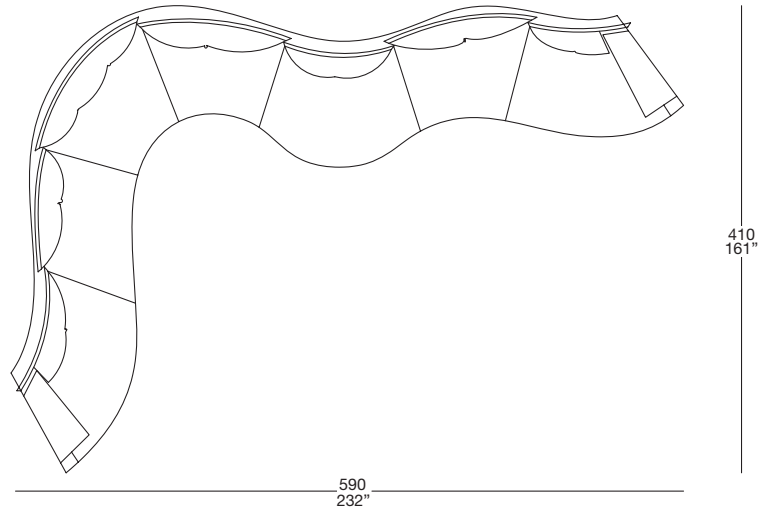


SR 144

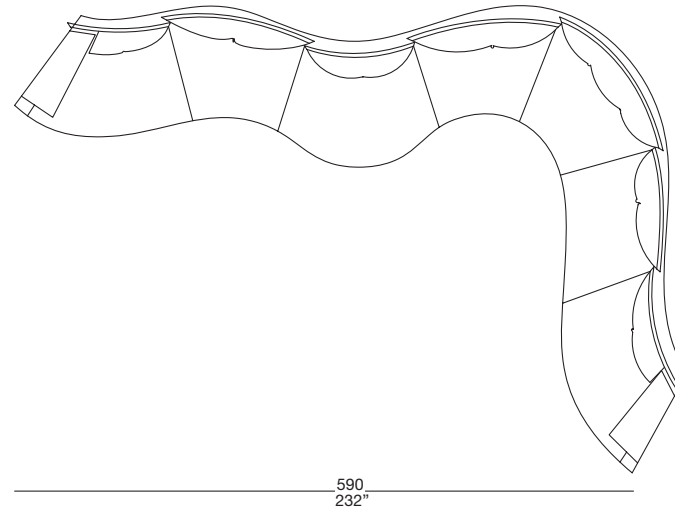


5 ▶

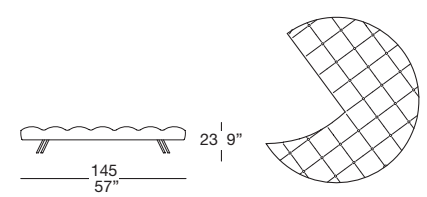
SR 145



SR 146



SR 147



SR 148

